

The module's features:

- Three control inputs of technical signals: EPS, PSU, LoB
- C-operation with power supply units of the PSBS 13,8V and PSBS 27,6V series
- LED optical indication
- Protection against reverse connection of power supply
- Warranty – 5 years from the production date

Technical description.

The MPSBS relay module of technical outputs is designed to change the OC (open collector) outputs to relay outputs in buffer power supplies of the PSBS 13,8V and PSBS 27,6V series. The LEDs on the PCB indicate the status of the individual relays. Power supply input of the module is protected against reverse connection of power supply.

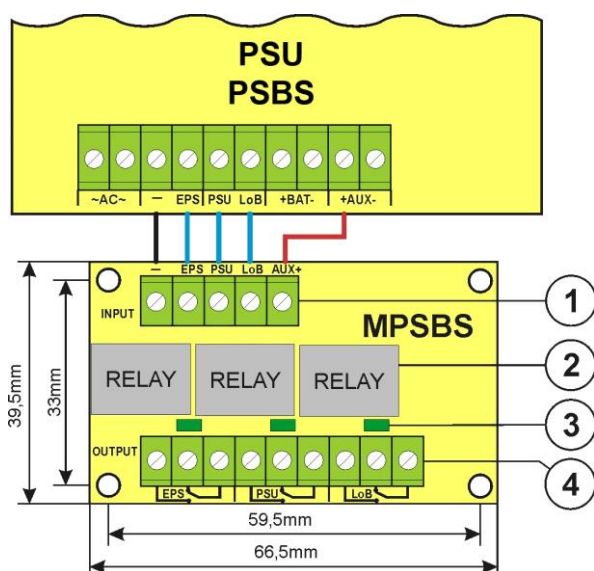


Fig.1. The scheme of the module.

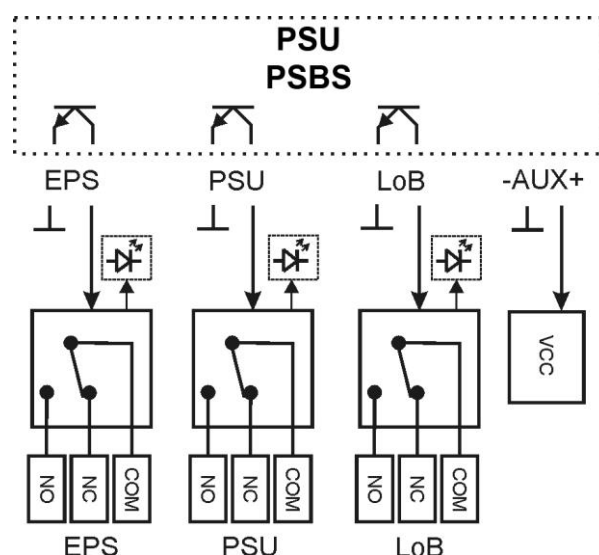


Fig. 2. Block diagram.

Table 1. The description of components and module connectors.

Component No. [Fig.1]	Description
①	Terminals: EPS, PSU, LoB – control inputs of technical signals AUX – DC supply input
②	Relays
③	LEDs – indication of relay activation
④	EPS, PSU, LoB – technical outputs, relay outputs. Module does not feature a battery detection function. In the case of no battery or non battery connected, the output is in the normal mode.

Table 2. Technical parameters.

Supply voltage	10V ÷ 30V DC
Current consumption	40 mA ÷ 65 mA @ U _{IN} = 10V ÷ 30V DC
Technical outputs (relay type)	3 x 1A @ 30V DC/50V AC
Optical indication	Green LEDs - relay outputs status
Operating conditions	II environmental class, -10°C ÷ 40°C
Dimensions	L=79, W=43, H=20 [+/- 2mm]
Mounting	Mounting strip with adhesive tape
Connectors	Φ0,41÷1,63 (AWG 26-14)
Net/gross weight	0,04kg / 0,06kg

WEEE LABEL

Waste electrical and electronic equipment must not be disposed of with normal household waste. According to the European Union WEEE Directive, waste electrical and electronic equipment should be disposed of separately from normal household waste.

Pulsar

Siedlec 150, 32-744 Łapczyca, Poland
Phone (+48) 14-610-19-40, Fax (+48) 14-610-19-50
E-mail: biuro@pulsar.pl, sales@pulsar.pl
http:// www.pulsar.pl, www.zasilacze.pl