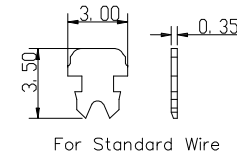
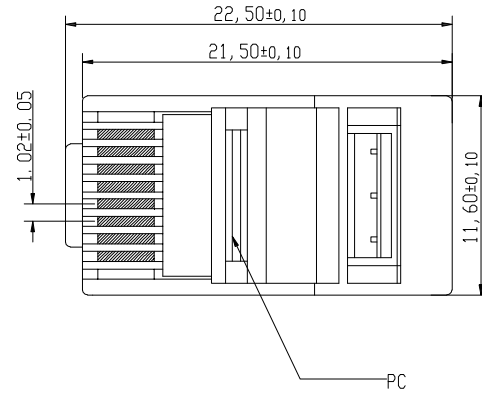
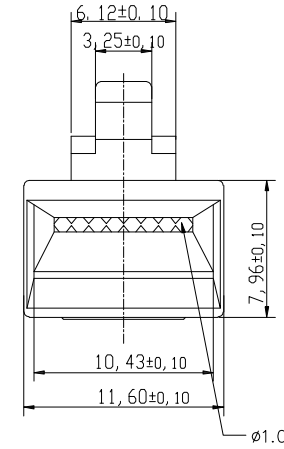
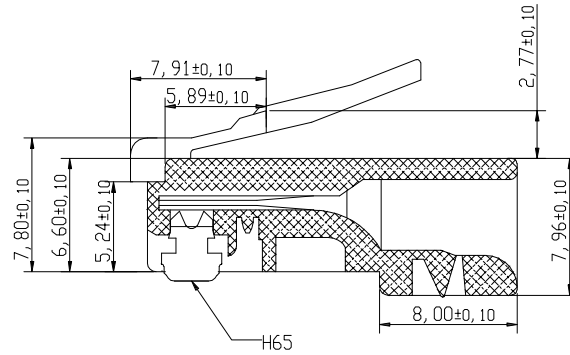
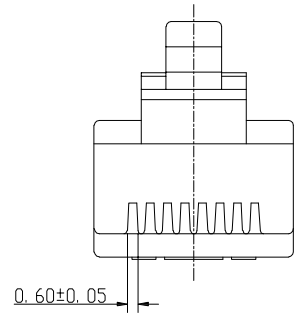




Product NO.		DW-CO-RJ45-5E-UTP-CLAS		
ISSUE	DESCRIPTION	DWN	DATE	APPROVEN
R1.0	First issue	Gavin	2022/11/03	JIM.KING



ELECTRICAL:
 1.CONTACT RESISTANCE: 20m OHM
 2.INSULATION RESISTANCE: <=200M OHMR100 Vdc
 3.WITHSTAND VOLTAGE:DC 1000V AC700V RMS 60HZ. Imin
 4.CAT6A PERMANENT LINK:CONFORM TO ANSI /TIA/EIA568B.2-10
 ENVIRONMENTAL:
 1.STORAGE: -40°C/+70°C
 2.OPERATION:10°C +60°C2 Mechanical:
 3.Cable-to-Plug tensile strength-20LBs (89N)min.4. Durability: 500 mating cycles.

-TOLERANCES- UNLESS OTHERWISE SPECIFIED					
	 Appr: JIM.KING		PART DESCRIPTION: RJ45 CAT5E 8p8c Unshielded CLASSIC for Solid Wire		
UNLESS OTHERWISE SPECIFIED TOLERANCES FOR MILLIMETERS ARE: 0.5 - 8mm ± 0.20mm 8 - 30mm ± 0.25mm 30 -120mm ± 0.30mm	Check:		Date	Scale	Unit
	Draw: Gavin		2022.11.03	Free	MM
P/N: DW-CO-RJ45-5E-UTP-CLAS		Type	Page		
					1/1