

## DS-2CD2426G2-I 2 MP AcuSense Fixed Cube Network Camera

### AcuSense



Empowered by deep learning algorithms, Hikvision AcuSense technology brings human and vehicle targets classification alarms to front- and back-end devices. The system focuses on human and vehicle targets, vastly improving alarm efficiency and effectiveness.

- High quality imaging with 2 MP resolution
- Excellent low-light performance with powered by DarkFighter technology
- Clear imaging against strong backlight due to 120 dB WDR technology
- Efficient H.265+ compression technology
- Focus on human and vehicle classification based on deep learning
- Provide real-time security via built-in two-way audio
- Detect human body through passive infrared which is sensitive to body temperature (PIR)



## ▪ Specification

| Camera                      |   |
|-----------------------------|---|
| Image Sensor                | 1/2.8" Progressive Scan CMOS  |
| Max. Resolution             | 1920 × 1080   |
| Min. Illumination           | Color: 0.002 Lux @ (F1.4, AGC ON), B/W: 0 Lux with IR   |
| Shutter Speed               | 1/3 s to 1/100,000 s  |
| Day & Night                 | IR cut filter   |
| Angle Adjustment            | Pan: 0° to 360°, tilt: 0° to 90°, rotate: 0° to 360°  |
| Lens                        |   |
| Focal Length & FOV          | 2.8 mm, horizontal FOV 107.1°, vertical FOV 56.9°, diagonal FOV 128.5°<br>4 mm, horizontal FOV 86.2°, vertical FOV 46.7°, diagonal FOV 101.9° |
| Aperture                    | F1.4  |
| Lens Mount                  | M12   |
| DORI                        |   |
| DORI                        | 2.8 mm: D: 44.3 m, O: 17.6 m, R: 8.9 m, I: 4.4 m<br>4 mm: D: 53.4 m, O: 21.2 m, R: 10.7 m, I: 5.3 m   |
| Illuminator                 |   |
| IR Range                    | Up to 10 m  |
| Wavelength                  | 850 nm  |
| Smart Supplement Light      | Yes   |
| Video                       |   |
| Main Stream                 | 50 Hz: 25 fps (1920 × 1080, 1280 × 720)<br>60 Hz: 30 fps (1920 × 1080, 1280 × 720)  |
| Sub Stream                  | 50 Hz: 25 fps (640 × 480, 640 × 360)<br>60 Hz: 30 fps (640 × 480, 640 × 360)  |
| Third Stream                | 50 Hz: 10 fps (1920 × 1080, 1280 × 720, 640 × 480, 640 × 360)<br>60 Hz: 10 fps (1920 × 1080, 1280 × 720, 640 × 480, 640 × 360)                |
| Video Compression           | Main stream: H.265/H.264/H.264+/H.265+<br>Sub-stream: H.265/H.264/MJPEG<br>Third stream: H.265/H.264  |
| Video Bit Rate              | 32 Kbps to 8 Mbps   |
| H.264 Type                  | Baseline Profile/Main Profile/High Profile  |
| H.265 Type                  | Main Profile  |
| Bit Rate Control            | CBR/VBR   |
| Scalable Video Coding (SVC) | Yes   |
| Region of Interest (ROI)    | 1 fixed region for main stream and sub-stream   |
| Audio                       |   |
| Environment Noise Filtering | Yes   |
| Audio Sampling Rate         | 8 kHz/16 kHz/32 kHz/44.1 kHz/48 kHz   |
| Audio Compression           | G.711ulaw/G.711alaw/G.722.1/G.726/MP2L2/PCM/MP3/AAC   |
| Audio Bit Rate              | 64 Kbps (G.711ulaw/G.711alaw)/16 Kbps (G.722.1)/16 Kbps (G.726)/16 Kbps to 64 Kbps (AAC)/32 Kbps to 192 Kbps (MP2L2)/8 Kbps to 320 Kbps (MP3) |
| Network                     |   |
| Simultaneous Live View      | Up to 6 channels  |
| API                         | Open Network Video Interface (Profile S, Profile G, Profile T), ISAPI, SDK  |

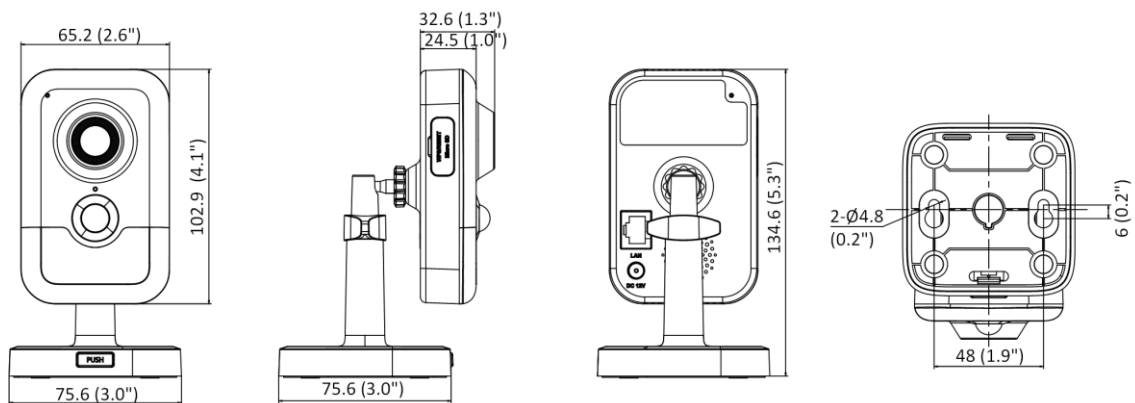
|                               |   |
|-------------------------------|---|
| Protocols                     | TCP/IP, ICMP, HTTP, HTTPS, FTP, DHCP, DNS, DDNS, RTP, RTSP, NTP, UPnP, SMTP, IGMP, 802.1X, QoS, IPv6, UDP, Bonjour, SSL/TLS, PPPoE, SNMP  |
| User/Host                     | Up to 32 users. 3 user levels: administrator, operator and user   |
| Security                      | Password protection, complicated password, HTTPS encryption, IP address filter, Security Audit Log, basic and digest authentication for HTTP/HTTPS, TLS 1.1/1.2, WSSE and digest authentication for Open Network Video Interface  |
| Network Storage               | NAS (NFS, SMB/CIFS), auto network replenishment (ANR)   |
| Client                        | iVMS-4200, Hik-Connect, Hik-Central   |
| Web Browser                   | Plug-in required live view: IE 10, IE 11<br>Plug-in free live view : Chrome 57.0+, Firefox 52.0+<br>Local service: Chrome 57.0+, Firefox 52.0+  |
| <b>Image</b>                  |   |
| Wide Dynamic Range (WDR)      | 120 dB  |
| Day/Night Switch              | Day, Night, Auto, Schedule  |
| Image Enhancement             | BLC, HLC, 3D DNR  |
| Image Parameters Switch       | Yes   |
| Image Settings                | Rotate, mirror, privacy mask, saturation, brightness, contrast, sharpness, gain, white balance adjustable by client software or web browser   |
| <b>PIR</b>                    |   |
| PIR Angle                     | Horizontal: 90°, vertical: 80°  |
| PIR Range                     | Up to 8 m   |
| <b>Interface</b>              |   |
| Built-in Microphone           | Yes   |
| Built-in Speaker              | Power: 1 W. Max. sound pressure level: 10 cm: 91 dB.  |
| On-board Storage              | Built-in memory card slot, support microSD/SDHC/SDXC card, up to 256 GB   |
| Hardware Reset                | Yes   |
| Communication Interface       | 1 RJ45 10 M/100 M self-adaptive Ethernet port   |
| <b>Event</b>                  |   |
| Basic Event                   | Motion detection, video tampering alarm, exception  |
| Smart Event                   | Scene change detection  |
| Linkage                       | Upload to FTP/memory card/NAS, notify surveillance center, trigger recording, trigger capture, send email, audible warning  |
| <b>Deep Learning Function</b> |   |
| Face Capture                  | Yes   |
| Perimeter Protection          | Line crossing, intrusion, region entrance, region exiting<br>Support alarm triggering by specified target types (human and vehicle)   |
| <b>General</b>                |   |
| Power                         | 12 VDC ± 25%, 0.50 A, max. 6 W, Ø5.5 mm coaxial power plug<br>PoE: (802.3af, Class 3, 36 V to 57 V), 0.2 A to 0.13 A, max. 7 W  |
| Web Client Language           | 33 languages<br>English, Russian, Estonian, Bulgarian, Hungarian, Greek, German, Italian, Czech, Slovak, French, Polish, Dutch, Portuguese, Spanish, Romanian, Danish, Swedish, Norwegian, Finnish, Croatian, Slovenian, Serbian, Turkish, Korean, Traditional Chinese, Thai, Vietnamese, Japanese, Latvian, Lithuanian, Portuguese (Brazil), Ukrainian |
| General Function              | Anti-flicker, heartbeat, password reset via email, pixel counter  |

|                                  |  |
|----------------------------------|--|
| Storage Conditions               | -10 °C to 40 °C (14 °F to 104 °F). Humidity 95% or less (non-condensing)   |
| Startup and Operating Conditions | -10 °C to 40 °C (14 °F to 104 °F). Humidity 95% or less (non-condensing)   |
| Camera Material                  | Plastic  |
| Camera Dimension                 | 102.9 mm × 65.2 mm × 32.6 mm (4.1" × 2.6" × 1.3")  |
| Package Dimension                | 150 mm × 125 mm × 99 mm (5.9" × 4.9" × 3.9")   |
| Camera Weight                    | Approx. 120 g (0.3 lb.)  |
| With Package Weight              | Approx. 430 g (0.9 lb.)  |
| <b>Approval</b>                  |  |
| EMC                              | FCC SDoC (47 CFR Part 15, Subpart B);<br>CE-EMC (EN 55032: 2015, EN 61000-3-2:2019, EN 61000-3-3:2013+A1:2019, EN 50130-4: 2011 +A1: 2014);<br>KC (KN 32: 2015, KN 35: 2015) |
| Safety                           | UL (UL 62368-1);<br>CB (IEC 62368-1:2014+A11);<br>CE-LVD (EN 62368-1:2014/A11:2017)  |
| Environment                      | CE-RoHS (2011/65/EU);<br>WEEE (2012/19/EU);<br>Reach (Regulation (EC) No 1907/2006)  |

## ▪ Available Model

DS-2CD2426G2-I (2.8/4 mm)

## ▪ Dimension



Unit: mm (inch)

Distributed by

**HIKVISION®****Headquarters**

No.555 Qianmo Road, Binjiang District,  
Hangzhou 310051, China  
T +86-571-8807-5998  
overseasbusiness@hikvision.com

**Hikvision USA**  
T +1-909-895-0400  
sales.usa@hikvision.com

**Hikvision Australia**  
T +61-2-8599-4233  
salesau@hikvision.com

**Hikvision India**  
T +91-22-28469900  
sales@pramahikvision.com

**Hikvision Canada**  
T +1-866-200-6690  
sales.canada@hikvision.com

**Hikvision Thailand**  
T +662-275-9949  
sales.thailand@hikvision.com

**Hikvision Europe**  
T +31-23-5542770  
sales.eu@hikvision.com

**Hikvision Italy**  
T +39-0438-6902  
info.it@hikvision.com

**Hikvision Brazil**  
T +55 11 3318-0050  
Latam.support@hikvision.com

**Hikvision Turkey**  
T +90 (216)521 7070- 7074  
sales.tr@hikvision.com

**Hikvision Malaysia**  
T +601-7652-2413  
sales.my@hikvision.com

**Hikvision UK & Ireland**  
T +01628-902140  
sales.uk@hikvision.com

**Hikvision South Africa**  
Tel: +27 (10) 0351172  
sale.africa@hikvision.com

**Hikvision France**  
T +33(0)1-85-330-450  
info.fr@hikvision.com

**Hikvision Kazakhstan**  
T +7-727-9730667  
nikia.panfilov@hikvision.ru

**Hikvision Vietnam**  
T +84-974270888  
sales.vt@hikvision.com

**Hikvision UAE**  
T +971-4-4432090  
salesme@hikvision.com

**Hikvision Singapore**  
T +65-6684-4718  
sg@hikvision.com

**Hikvision Spain**  
T +34-91-737-16-55  
info.es@hikvision.com

**Hikvision Tashkent**  
T +99-87-1238-9438  
uzb@hikvision.ru

**Hikvision Hong Kong**  
T +852-2151-1761  
info.hk@hikvision.com

**Hikvision Russia**  
T +7-495-669-67-99  
saleru@hikvision.com

**Hikvision Korea**  
T +82-(0)31-731-8817  
sales.korea@hikvision.com

**Hikvision Poland**  
T +48-22-460-01-50  
info.pl@hikvision.com

**Hikvision Indonesia**  
T +62-21-2933759  
Sales.Indonesia@hikvision.com

**Hikvision Colombia**  
sales.colombia@hikvision.com