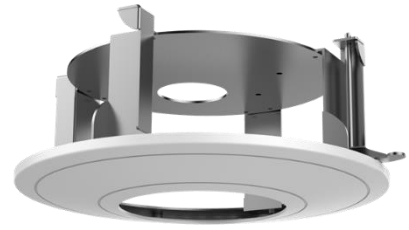


## DS-1227ZJ-DM37

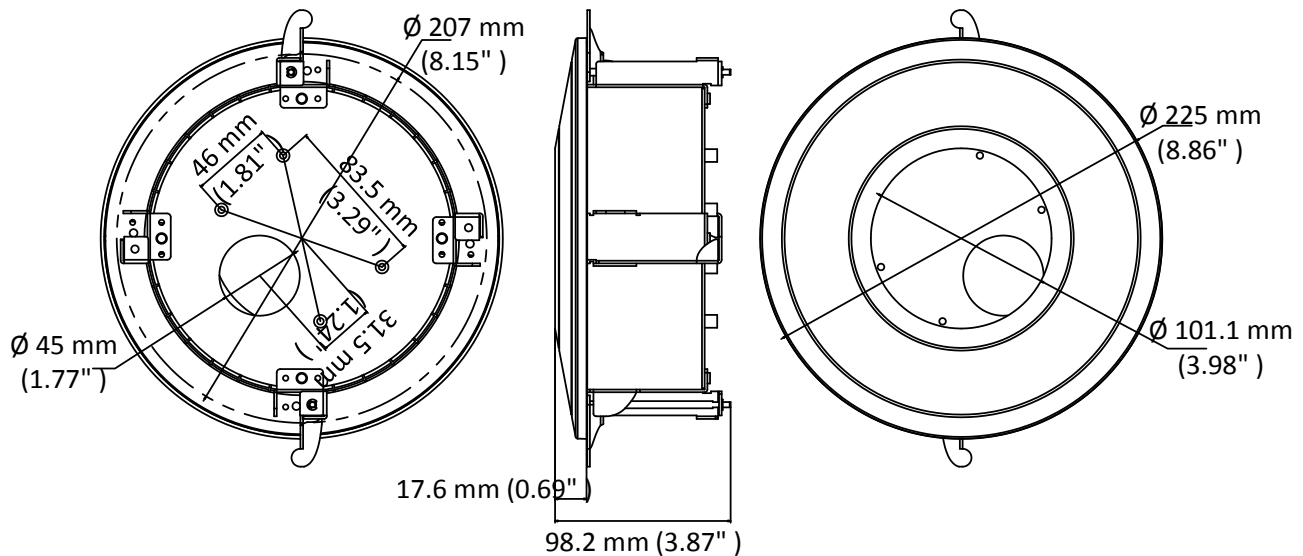
In-Ceiling Mount



### Features

- Steel and plastic with surface spray treatment
- In-ceiling mount saves installation space

### Dimension



### Available Model

DS-1227ZJ-DM37

### Parameter

|            |  |
|------------|--|
| Model      | DS-1227ZJ-DM37   |
| Parameters | In-Ceiling Mount   |
| Appearance | Hikvision White  |
| Material   | Steel and Plastic  |
| Dimension  | $\varnothing 225 \text{ mm} \times 98.2 \text{ mm}$ (8.86" $\times$ 3.87") |
| Weight     | 700 g (1.54 lb.)   |

### Notes

- The mount should be installed on the flat ceiling.
- The ceiling must be capable of supporting over 3 times as much as the total weight of the camera and the mount.
- The maximum load capacity of the mount is 3 kg (6.6 lb.).