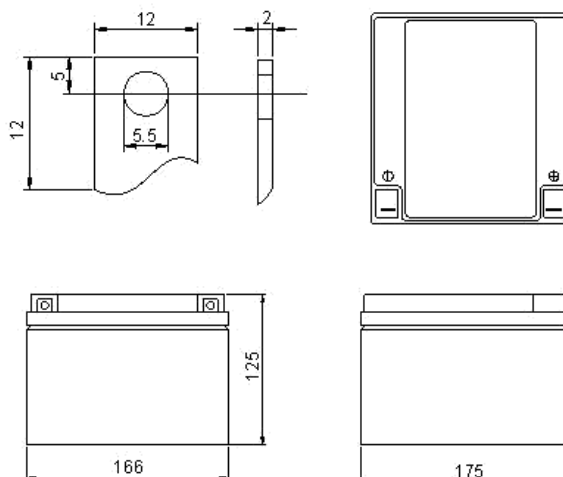


12V/26AH akumulátor



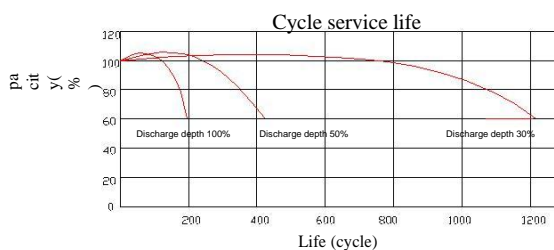
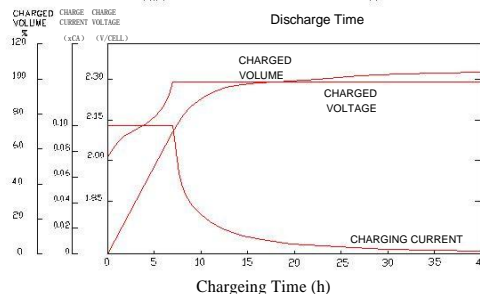
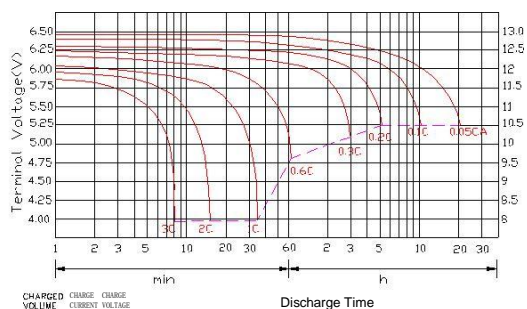
⌘ Specifications

Nominal Voltage	12V	
Rated Capacity	25Ah	
Dimensions	Total Height	4.92 inches (125mm)
	Height	4.92 inches (125mm)
	Length	6.54 inches (166mm)
	Width	6.89 inches (175mm)
Approximate Weight	17.64 lbs. (8.0kg)	

⌘ Characteristic

Capacity 77 ⁰ F(25 ⁰ C)	20h rate	25.0Ah
	10h rate	22.5Ah
	5h rate	21.3Ah
	1h rate	15.0Ah
	15 min rate	11.2Ah
Internal Resistance	Full Charged Batter 77 ⁰ F(25 ⁰ C)	Approx. 12mΩ
Capacity Affected by Temperature (20h rate)	104 ⁰ F(40 ⁰ C)	102%
	77 ⁰ F(25 ⁰ C)	100%
	32 ⁰ F(0 ⁰ C)	85%
	5 ⁰ F(-15 ⁰ C)	65%
Self-Discharge 68 ⁰ F(20 ⁰ C) (Capacity after)	3 month storage	90%
	6 month storage	80%
	12 month storage	60%
Max. Discharge Current 77 ⁰ F(25 ⁰ C)	375A(5s)	
Terminal	T3/T10	
Charge (Constant Voltage, 25 C)	Cycle	14.5~14.9V(-24mV/⁰C) max. current: 7.5A
	Float	13.6~13.8V(-18mV/⁰C)

DISCHARGE CHARACTERISTICS AT 25° C(77° F)



Constant Current Discharge Characteristics (A, 25°C)

F.V/TIME	5min	10min	15min	30min	60min	3h	5h	10h	20h
9.60V	95.0	65.0	46.5	28.2	16.2	6.93	4.51	2.44	1.27
10.2V	90.2	61.8	44.6	27.2	15.7	6.80	4.42	2.41	1.26
10.5V	84.8	58.0	42.4	26.0	15.0	6.56	4.28	2.40	1.25

Constant Wattage Discharge Characteristics (Watt, 25°C)

F.V/TIME	5min	10min	15min	30min	60min	3h	5h	10h	20h
9.60V	1071	733	547	332	185	78.4	53.3	29.2	15.2
10.2V	1018	697	525	319	178	77.2	52.5	29.0	15.1
10.5V	957	655	499	303	169	75.7	51.5	28.0	15.0