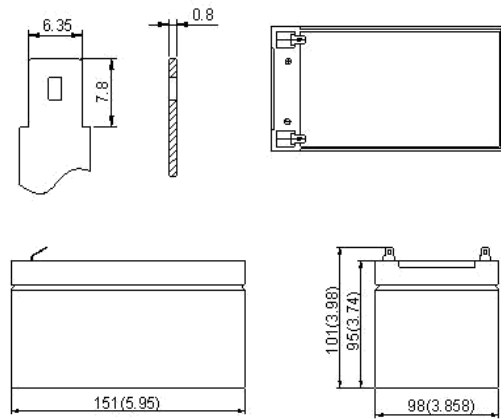


12V/12AH akumulátor



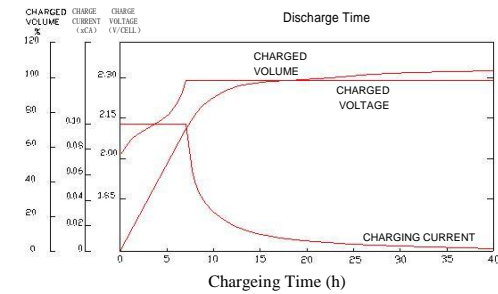
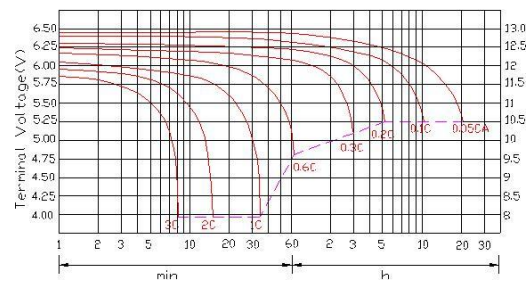
⌘ Specifications

Nominal Voltage		12V
Rated Capacity		12Ah
Dimensions	Total Height	3.98 inches (101mm)
	Height	3.74 inches (95mm)
	Length	5.95 inches (151mm)
	Width	3.86 inches (98mm)
Approximate Weight		7.94 lbs. (3.6kg)

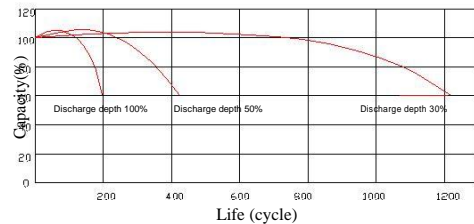
⌘ Characteristic

Capacity 77 ⁰ F(25 ⁰ C)	20h rate	12.0Ah
	10h rate	11.1Ah
	5h rate	10.2Ah
	1h rate	7.2Ah
	15 min rate	5.4Ah
Internal Resistance	Full Charged Battery 77 ⁰ F(25 ⁰ C)	Approx. 20mΩ
Capacity Affected by Temperature (20h rate)	104 ⁰ F(40 ⁰ C)	102%
	77 ⁰ F(25 ⁰ C)	100%
	32 ⁰ F(0 ⁰ C)	85%
	5 ⁰ F(-15 ⁰ C)	65%
Self-Discharge 68 ⁰ F(20 ⁰ C) (Capacity after)	3 month storage	90%
	6 month storage	80%
	12 month storage	60%
Max. Discharge Current 77 ⁰ F(25 ⁰ C)	180A(5s)	
Terminal	T2	
Charge (Constant Voltage, 25 ⁰ C)	Cycle	14.5~14.9V(-24mV/⁰C) max. current: 3.6 A
	Float	13.6~13.8V(-18mV/⁰C)

DISCHARGE CHARACTERISTICS AT 25° C(77° F)



Cycle service life



Constant Current Discharge Characteristics (A, 25°C)

F.V/TIME	5min	10min	15min	30min	60min	3h	5h	10h	20h
9.60V	46.0	31.0	24.5	13.5	7.80	3.17	2.08	1.12	0.60
10.2V	43.7	29.5	23.5	13.0	7.49	3.12	2.05	1.11	0.59
10.5V	41.0	27.7	22.3	12.3	7.11	3.06	2.01	1.10	0.59

Constant Wattage Discharge Characteristics (Watt, 25°C)

F.V/TIME	5min	10min	15min	30min	60min	3h	5h	10h	20h
9.60V	513	350	279	155	90.3	37.6	25.0	13.4	7.20
10.2V	488	332	268	149	86.7	37.1	24.5	13.3	7.10
10.5V	458	312	255	141	82.4	36.3	24.0	13.3	7.10