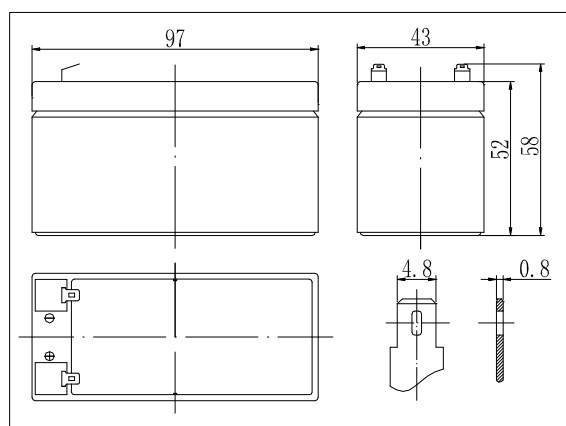
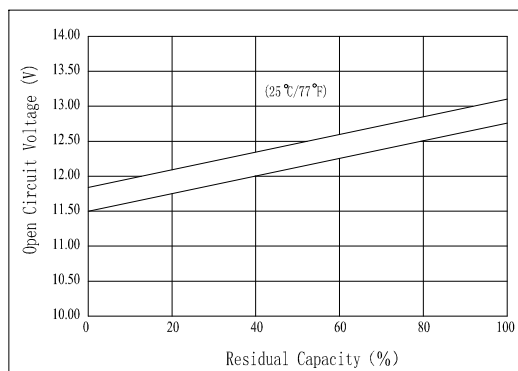


12V/1.3AH akumulator

Dimensions



and Residual Capacity (25°C)



Specifications

Nominal Voltage		12 V
Capacity(20HR, 25°C)		1.3 Ah
Dimension	Length	97mm (3.82inch)
	Width	43mm (1.69inch)
	Height	52mm (2.05inch)
	Total Height	58mm (2.28inch)
Approx. Weight		0.61kg (1.35lbs)
Internal resistance (Fully charged, 25°C)		Approx. 95mΩ
Capacity affected by temperature (20HR)	40°C	102%
	25°C	100%
	0°C	85%
	-15°C	65%
Self-discharge (25°C)	3 month	Remaining Capacity: 91%
	6 month	Remaining Capacity: 82%
	12 month	Remaining Capacity: 65%
Nominal operating temperature		25°C±3°C(77°F±5°F)
Operating temperature range		-15°C ~ 50°C (5°F ~ 122°F)
Float charging voltage(25°C)		13.60 to 13.80V
Cyclic charging voltage(25°C)		14.50 to 14.90V
Maximum charging current		0.39A
Terminal material		Copper
Maximum discharge current		19.5A(5 sec.)

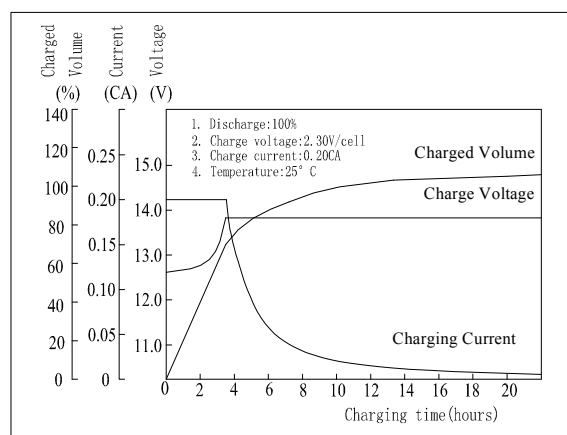
- Absorbent glass mat technology;
- Recognized by UL & CE;
- ABS container.

The Relationship for Open Circuit Voltage

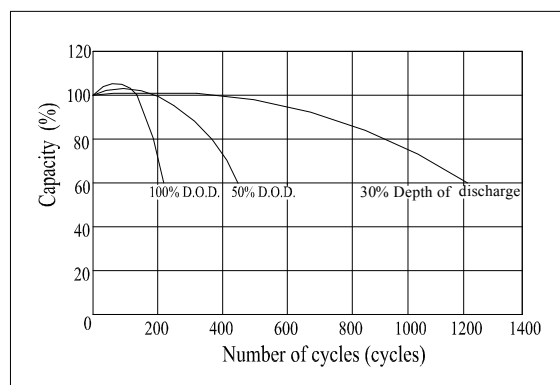
Constant Current Discharge Characteristics (A, 25°C)

F.V/TIME	5min	10min	15min	30min	60min	3h	5h	10h	20h
9.60V	5.00	3.20	2.50	1.45	0.82	0.33	0.22	0.12	0.065
10.2V	4.75	3.04	2.40	1.39	0.79	0.33	0.22	0.12	0.065
10.8V	4.47	2.86	2.28	1.32	0.75	0.32	0.21	0.12	0.063

Charging Characteristics(25°C)



Cycle Life(25°C)



Note: Floating life at 20°C designed for 3 to 5 years.

12V1.3AH

Constant Power Discharge Characteristics (Watt, 25°C)

F.V/TIME	5min	10min	15min	30min	60min	3h	5h	10h	20h
9.60V	55.8	36.1	28.5	16.6	9.50	3.92	2.63	1.44	0.78
10.2V	53.0	34.3	27.4	15.9	9.15	3.92	2.63	1.44	0.78
10.8V	49.9	32.3	26.0	15.1	8.69	3.80	2.51	1.44	0.75